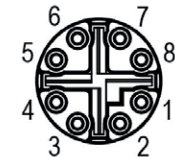
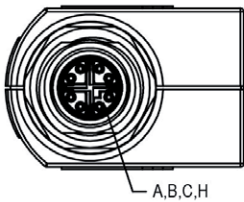
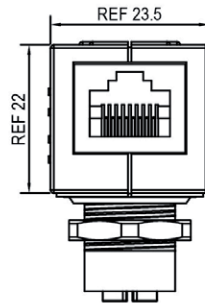
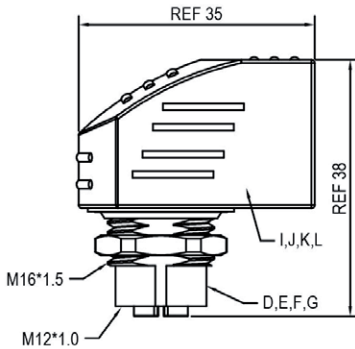
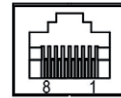


RJ45-M12 Thru Panel Adapter Female X-Coded Right Angle for use with Cat6A, and Cat7 Cable ASITPA-4512FX-RA

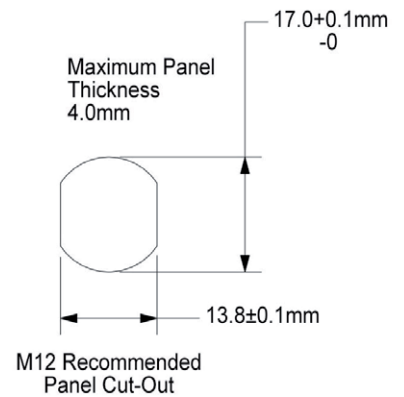


M12 Pin assignment



RJ45 Pin assignment

Letter	Name	Description
	Voltage (V)	50 Vdc
	Current (A)	0.5A
	Operating Temperature (°C)	-25 °C to +80 °C
	IP Rating	M12: IP67
	Weight (g)	25.4g
A	M12 Connector	M12 8P X-coding black, female
B	Sockets	Gold plated Brass
C	Shield	Nickel plated Zinc Alloy
D	Thread	M12/M16 Nickel plated Brass
E	Resin	Black Epoxy
F	Ring	Black rubber
G	Nut	M16x1.5, Nickel plated Brass, Size: 18 x 3 mm
H	O-Ring	Green rubber
I	PCB	PCB L x W=30 x 20 mm
J	RJ45 Connector	RJ45 with shielding
K	Lower Cover	Black Nylon
L	Upper Cover	Black Nylon



Wirelist

M12	RJ45
1	1
2	2
3	3
4	6
5	7
6	8
7	5
8	4
shield	shield